

Pump group SMT 125 - DN 25 (1") - with rotary mixing valve



Compact mixing group **SMT 125 - DN 25** is equipped with a brass three-way mixing valve **MIX MT 25**, two brass ball valves with thermometers supply and return (with built-in check valve) steel connector and insulation. **MIX MT** mixing valve is equipped with a bypass. On requests group can be equipped with a pump **Grundfos** or **Wilo**. Additionally to ensure automatic operation of the mixing valve must be equipped with an actuator **MP 10 - 10 Nm**.

WARNING! Group comes from the supply side to the right. Sides can be switched.

Technical data:

Max pressure:	8 bar
Max temperature:	110 °C
Insulation material:	EPP black 60g/l
Axle spacing:	125 mm
Gaskets material:	VITON/EPDM
Connections:	Installation side: 1" F
	Boiler side: 1 1/2" M
Installation length of pump:	180 mm
Connection of the pump:	1 1/2" M

Type	Catalog number
Pump group SMT 125 - DN 25 with insulation, without pump	606081
Pump group SMT 125 - DN 25 with insulation, with pump Wilo Yonos Para 25/6	616084
Pump group SMT 125 - DN 25 with insulation, with pump Wilo Yonos Para 25/8	616085
Pump group SMT 125 - DN 25 with insulation, with pump Wilo Yonos Pico 25/1-6	616088
Pump group SMT 125 - DN 25 with insulation, with pump Wilo Yonos Pico 25/1-8	616089
Pump group SMT 125 - DN 25 with insulation, with pump Grundfos UPM3 Auto L 25-70	616086
Pump group SMT 125 - DN 25 with insulation, with pump Grundfos Alpha 2 25 - 60	606085

Pump group with pumps:

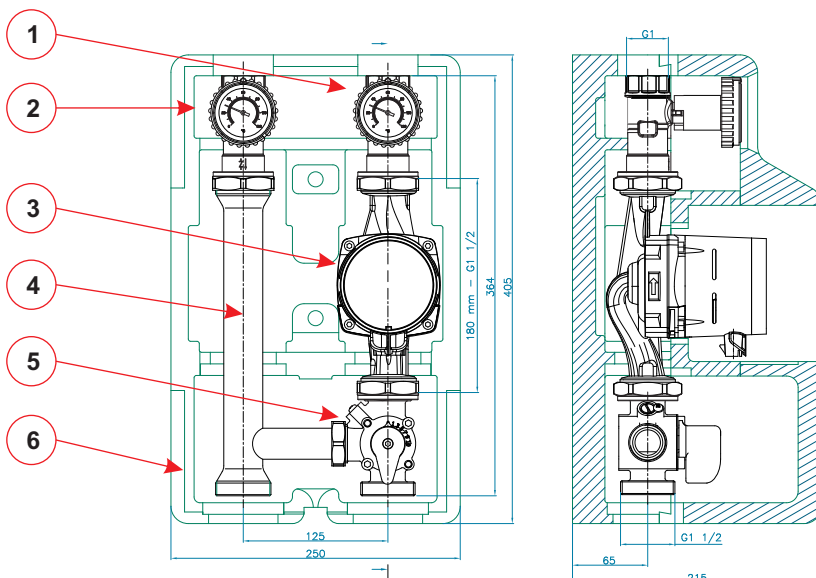


Wilo Yonos Para

Wilo Yonos Pico

Grundfos UPM3

Grundfos Alpha 2



1. Supply ball valve with a thermometer 0-120 OC with a red handle.
2. Return ball valve with a thermometer 0-120 OC with check valve with manual lock, with blue handle.
3. Circulation pump (option) from Womix, Grundfos or Wilo.
4. 272 mm steel spacer.
5. MIX MT 25 3-way mixing valve with bypass.
6. EPP insulation.